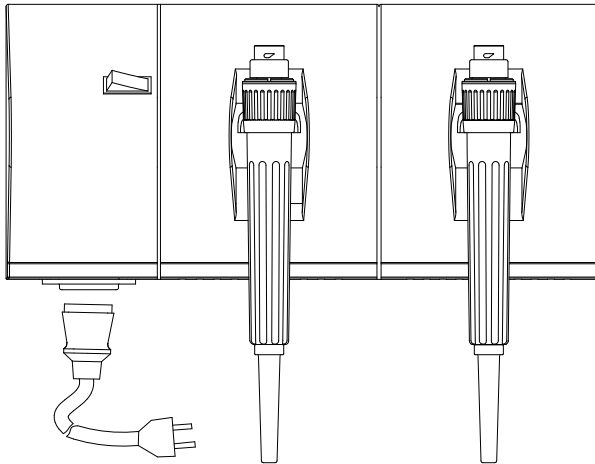


# Wall Mount Transformer User's Guide



## 1 Part list Show as Fig.1

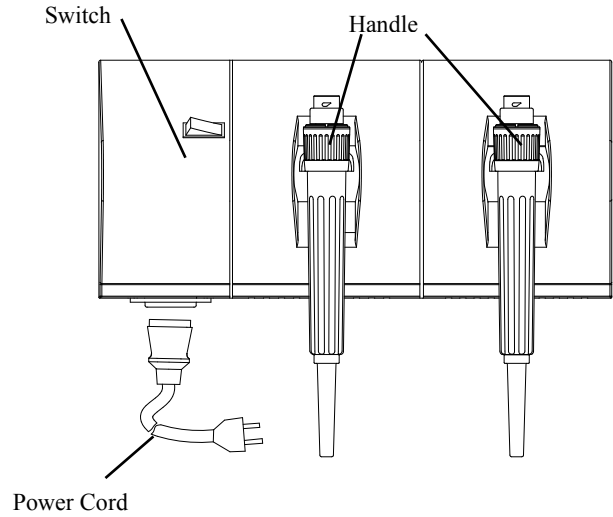


Fig.1

## 2 Mounting and Operating Instructions

### 2.1 Mounting Instructions

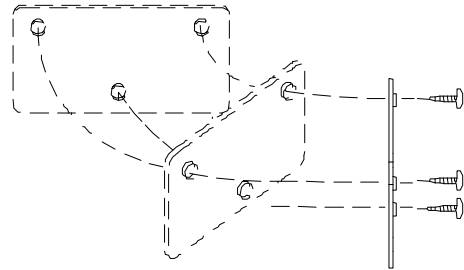


Fig.2

- 2.1.1 Hold the mounting plate horizontally in place where the unit should be mounted and mark the holes to be drilled in the wall.
- 2.1.2 Drill a hole with a 6 mm drill at least 35 mm deep and insert the fixing plugs .
- 2.1.3 Fasten mounting plate to the wall with enclosed screws, making sure that the screw hole flanges face away from the wall and the smooth surface of the mounting plate is flush with the wall. Show as Fig.2.

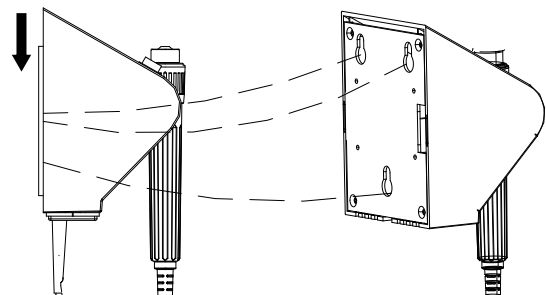


Fig.3

- 2.1.4 Mount the unit by fitting the round holes in the backplate over screw heads on the wall mounting plate, then push downward on the unit to secure it to the wall. See from Fig 3.

Thank you for purchasing the Wall Mount Transformer. To prevent damage to the Wall Mount Transformer or injury to yourself or to others, read the following safety precaution in their entirety before using this equipment. Keep these safety instructions where all those who use the device will read them.

### Symbol:



**Protective earth**



**Attention :** Read User's Guide for Warning and Cautions and Instructions for use.

### Warnings and Cautions



**Warning:** This device must not be used in the presence of flammable gases.



**Warning:** This device should not be immersed in fluids.



**Warning:** Turn off the power when it is not in use.



**Caution:** This device have two handles with output port. Each of them can only attach to the special 3.5V instrument head such as ophthalmoscope, Retinoscope and Otoscope etc.

**2.1 Operating Instructions**

- 2.2.1 Connect 3.5V instrument head to the handle.
- 2.2.2 Plugging power cord into the outlet, turn power switch to ON position.
- 2.2.3 The instruments will automatically light when handles are lifted from the handle cradle and automatically turning it off when the handle is placed back in the cradle.
- 2.2.4 Rotate the rheostat section to select the desired brightness. See from Fig.4.
- 2.2.5 The Wall Mount Transformer can be turned off by simply turning the power switch to the OFF position.

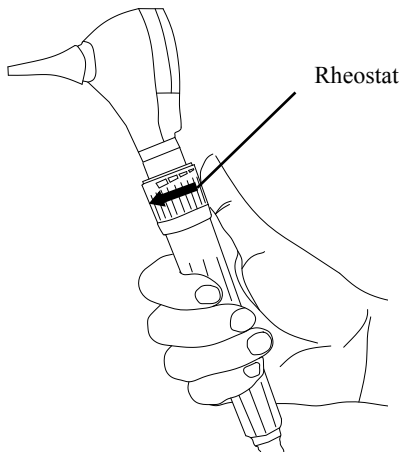


Fig.4

**3 Maintenance**

**3.1 Repair**

Turn off the power and pull out the power plug, then draw out the fuse holder from attachment plug and replace with new fuse, then push the fuse holder in. For other repairs contact with our Technical Service Department please.



**Caution:** If the handle is too hot, turn the instrument off immediately.



**Caution:** Please select the fuse of the same type. Specification of fuse: T125 mA L 250 V.

**3.2 Cleaning**

The cleaning of DT485 Wall Mount Transformer is easily accomplished by wiping the external surface with a cloth dampened with a mild detergent and water solution, or a 70% isopropyl alcohol, or a 10% bleach solution (by volume).

Note: Solution entering the assembly could damage internal components. Use caution to ensure cloth is not saturated with solution.

**4 Technical specifications**

Electrical specifications		
Rated voltage	100 VAC – 240 VAC 50 Hz / 60 Hz	
Input power	≤ 18 VA	
Output	2×3.5 V / 800 mA	
Fuse	T 125 mA L 250 V	
Electrical safety	Complying with EN60601-1, EN60601-1-2, Protection: Class I Operation mode: Intermittent 2 minutes “ON” 5 minutes “OFF”	
Environment requirements		
Operation	Temperature	+10 °C – +35 °C
	Rel. humidity	30% – 75%
	Air pressure	700 hPa – 1060 hPa
Shipping	Common Conveyance	
Storage	Temperature	-40 °C – +55 °C
	Rel. humidity	10% – 90%
	Air pressure	500 hPa – 1060 hPa

48592.001.00. N1